

BEETLE FIBER OPTICS

Fiber Multiplexer

- increases the capacity of your dark fiber up to 16 times
- using only passive components [CWDM Filters] different wavelengths are used to separate your traffic



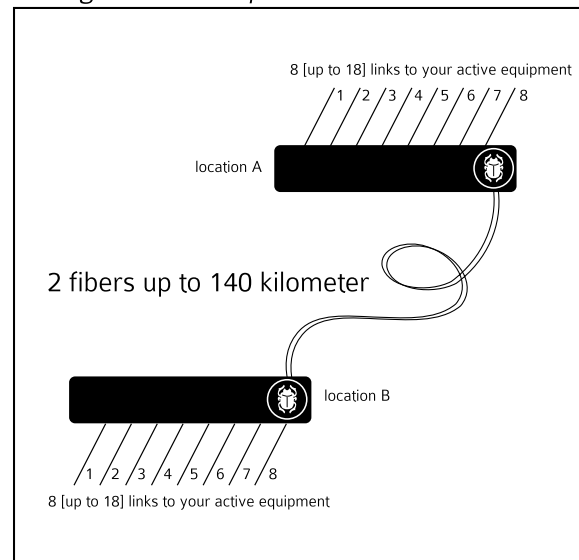
Features

- up to 16 channels CWDM
- 100% passive solution - no power needed
- operating temperature 0°C° to +70°C
- low insertion loss [<3dB/channel]
- 19inch rack mountable
- 100% protocol independent
- up to 140 kilometer without amplification or regeneration

Applications

- 1 Gigabit Ethernet
- 10 Gigabit Ethernet
- Fibre Channel [1,4 & 8Gbit SAN]
- SONET/SDH

configuration example



BEETLE FIBER OPTICS

Made in The Netherlands
100% quality control
100% compliance testing
24 months warranty

Find us online at:
www.beetlefiberoptics.com
or send us an email at:
info@beetlefiberoptics.com



BEETLE FIBER OPTICS

Fiber Multiplexer

Specifications

Parameters	8 channel+ Upgrade	8 channel	16 channel
Center Wavelengths	1470,1490,1510 1530,1550,1570, 1590,1610, + 1270-1450 in one port	1270,1290,1310, 1330,1350,1410, 1430,1450 [or 1470-1610]	1270,1290,1310,1330,1350, 1370,1390,1410,1430,1450, 1470,1490,1510,1530,1550, 1570,1590,1610
Insertion Loss	<2.5dB	<2.5dB	<4 dB
Channel Spacing	20 nm		
PDL	0.2dB		
PMD	0.1ps		
Return Loss	45dB		
Operating Temperature	0°C° to +70°C		
Storage Temperature	-40°C° to +85°C		

BEETLE FIBER OPTICS

Made in The Netherlands
100% quality control
100% compliance testing
24 months warranty

Find us online at:
www.beetlefiberoptics.com
or send us an email at:
info@beetlefiberoptics.com

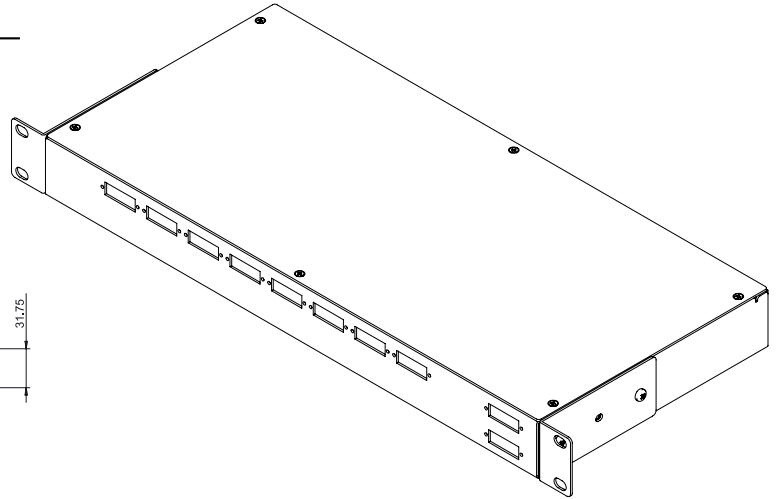
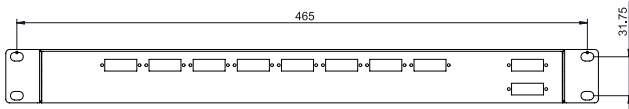


BEETLE FIBER OPTICS

Fiber Multiplexer

Dimensions

- 19 inch x 1HU x 220mm



Standards

- RoHS
- ITU T-REC-G.694.2
- TELCODIA GR-1221
- DIN 41494
- IEC 60297
- IEC 61300-3-35:2010

Connectors

- SC/UPC [others on request]

BEETLE FIBER OPTICS

Made in The Netherlands
100% quality control
100% compliance testing
24 months warranty

Find us online at:
www.beetlefiberoptics.com
or send us an email at:
info@beetlefiberoptics.com

